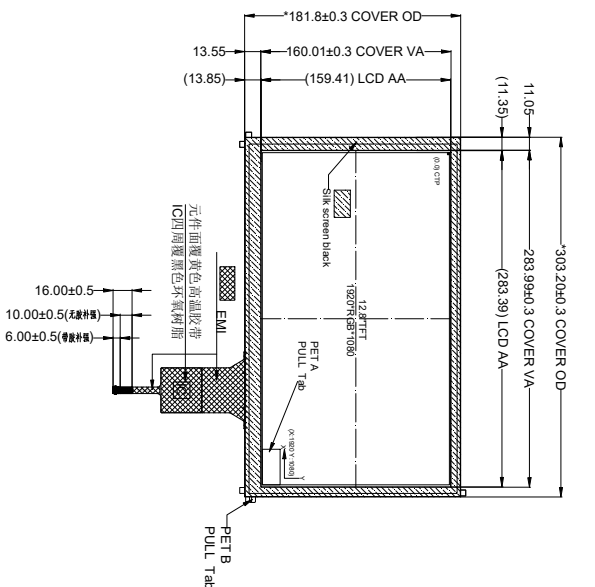
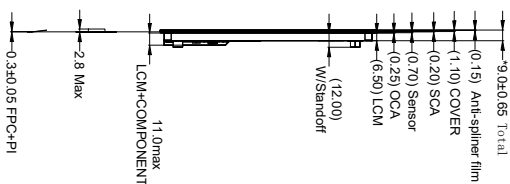


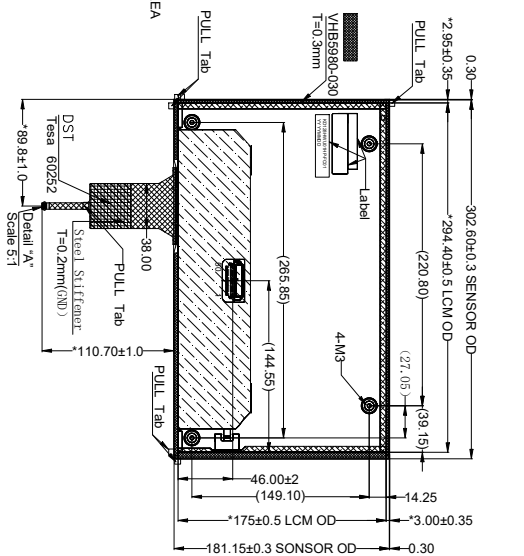
Front View



Side View



Rear View



测试需注意：
测试架连接屏的FFC， 插接模组卡扣时必须放到卡槽， 靠一边对齐， 避免烧坏测试架及屏

CTP PIN

Pin#	Name
1	SDL
2	SDA
3	INT
4	GND
5	VCC
6	RST
7	无
8	无
9	无
10	无

CTP NOTES:
1.G-G:Anti-spliner film: 0.15mm,Cover Glass: 1.1MM,
SCA:0.2MM, SENS:OR:0.7MM,Total: 2.15±0.2MM ;
2.Working condition: DC3.3V, Interface: I2C
3.IC:GA6672(COF) ,Support touch: Spontis;
4.Surface hardness:2H
5.Operation temperature:-30°C~+85°C;
6.Storage temperature:-40°C~+85°C;
7.Luminousness:≥85%
8.All ROHS certified;

LCM NOTES:
1. Display Type:12.8"FT
2.Viewing direction:Full Viewing
3.Polarizer mode:Transmissive/normal bead
4.Operation temperature:-30°C~+85°C
5.Storage temperature:-40°C~+90°C
6.Logic power supply voltage:3.3V
7.Backlight:White,IF
38.4(TYP)~40.8V(MAX), 380mA(TYP)
Brightness:450cd/m(MIN)500cd/m(TYP)
8.ROHS must be complied

REV.	DATE	MODIFICATION
1.0	2023.8.29	First Issue

INTERFACE	LVDS Interface
FPC Connector	F31L-1A7H1-21050

VIEWING DIRECTION	ALL
VIEWING DIRECTION	Gray

PART NO.	KD128HWU01HP-FC01
Material code:	
DWN	LHF 2023.8.29
CHKD	Li Huang 2023.8.29
PROJECTION	3rd ANGLE
UNIT	mm
SCALE	1:1



LCM PIN

PIN SYMBOL	LCM PIN
1	GND
2	NC/BIST
3	VCC
4	VCC
5	GND
6	GND
7	NC
8	NC
9	GND
10	ORXIND
11	ORXIND+
12	ORXIND-
13	ORXIN1+
14	ORXIN1-
15	ORXIN2-
16	ORXCLIN+
17	ORXCLIN+
18	ORXIN3-
19	ORXIN3+
20	ERXIND-
21	ERXIND+
22	ERXIN1-
23	ERXIN1+
24	ERXIN2-
25	ERXIN2+
26	ERXCLIN+
27	ERXCLIN+
28	ERXIN3-
29	ERXIN3+
30	GND
31	FAULT
32	RESET
33	STBYB
34	NC
35	NC
36	NC
37	NC
38	GND
39	GND
40	NC