

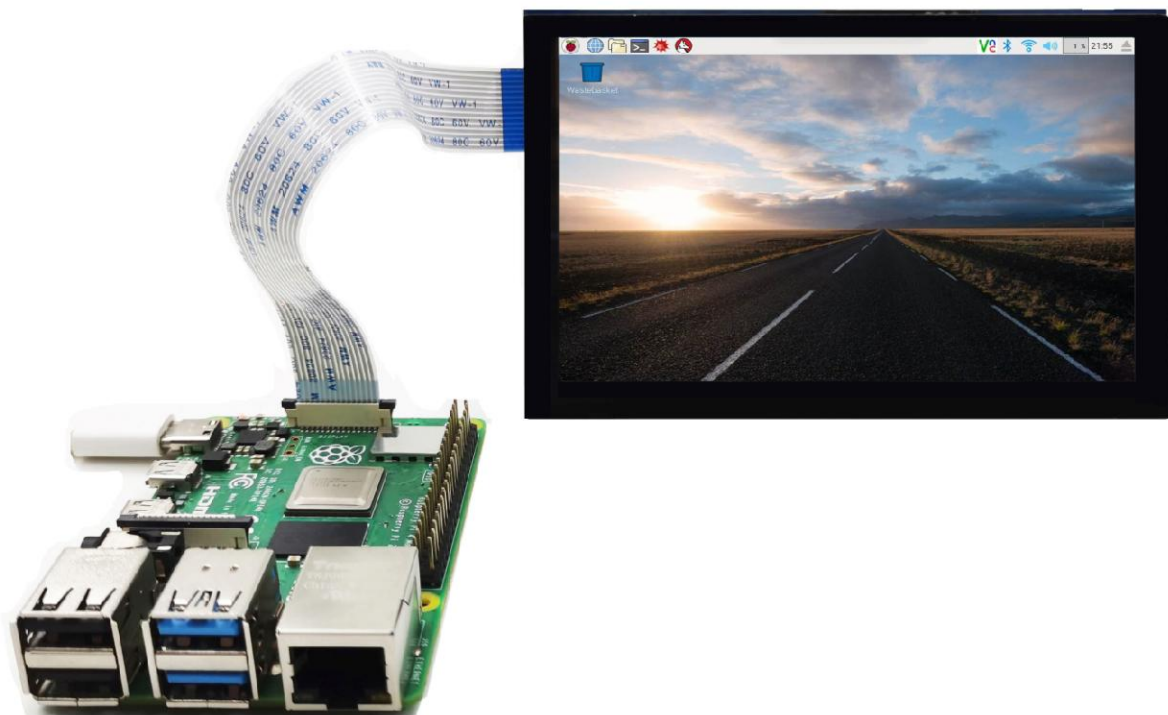


深圳市卡迪显示科技有限公司

SHENZHEN KADI DISPLAY

5.0- Inch DSI MIPI

KDR5003-01





1. General Specifications

	Feature	Spec
Characteristics	Size	5.0 inch
	Resolution	800(horizontal)*480(Vertical)
	Interface	DSI MIPI(For Raspberry Pi)
	Connect type	Connector
	Display Colors	16.7M
	Technology type	a-Si
	Pixel pitch (mm)	0.135*0.135
	Display Mode	Normally Black
	Technology	IPS
	CTP Driver IC	MXT640T
	Viewing Direction	ALL
Mechanical	LCM (W x H x D) (mm)	120.7*75.8*9.17
	Active Area(mm)	109 x 65.80
	With /Without TSP	With CTP
	Weight (g)	TBD
	LED Numbers	14 LEDs

2. Electrical Characteristics

Item	Symbol	MIN	Typ	MAX	Unit
Supply Voltage	VDD	3.0	3.3	3.6	V
Direct Current(With Backlight)	Id	-	140	-	mA
Operating Temperature	TOPR	-20	-	70	°C
Storage Temperature	TSTG	-30	-	80	°C
Life time			50000		Hrs
Brightnes	YL	-	1000	-	Cd/m2



3. PIN-MAP

15PIN/1.0 CONNETOR

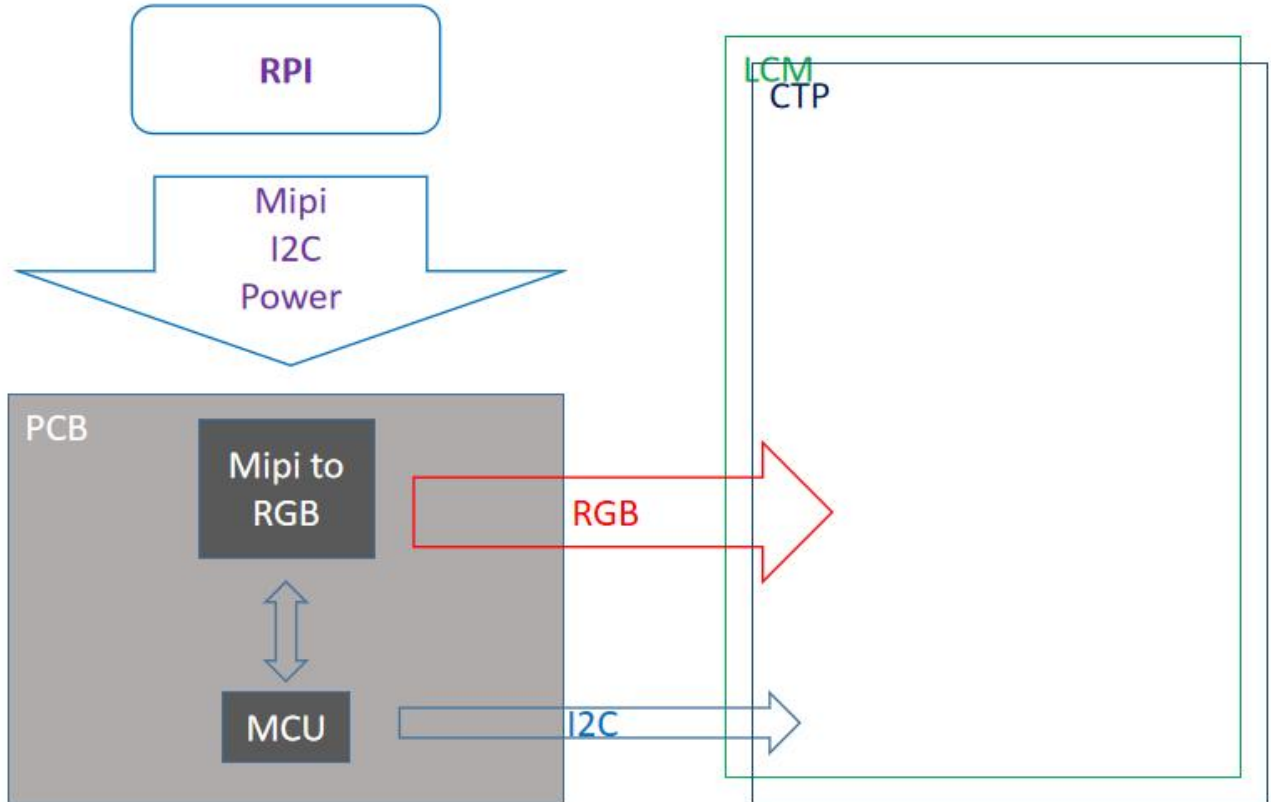
No.	Symbol	Description
1	GND	Ground
2	MP_DN1	MIPI Negative data1 signal(-)
3	MP_DP1	MIPI Positive data1 signal(+)
4	GND	Ground
5	MP_DCN	MIPI Negative clock signal(-)
6	MP_DCP	MIPI Positive clock signal(+)
7	GND	Ground
8	MP_DN0	MIPI Negative data0 signal(-)
9	MP_DP0	MIPI Positive data0 signal(+)
10	GND	Ground
11	SCL0	I2C0 clock signal
12	SDA0	I2C0 data signal
13	GND	Ground
14	DC	3V3
15	DC	3V3

3PIN/1.25 CONNETOR

No.	Symbol	Description
1	VCC5V	Backlight Power Supply 5V
2	PWM	Brightness adjust(100%PWM duty 100% on;0%PWM duty darkness)
3	GND	Ground



4. Block Diagram





5.Drawing

