

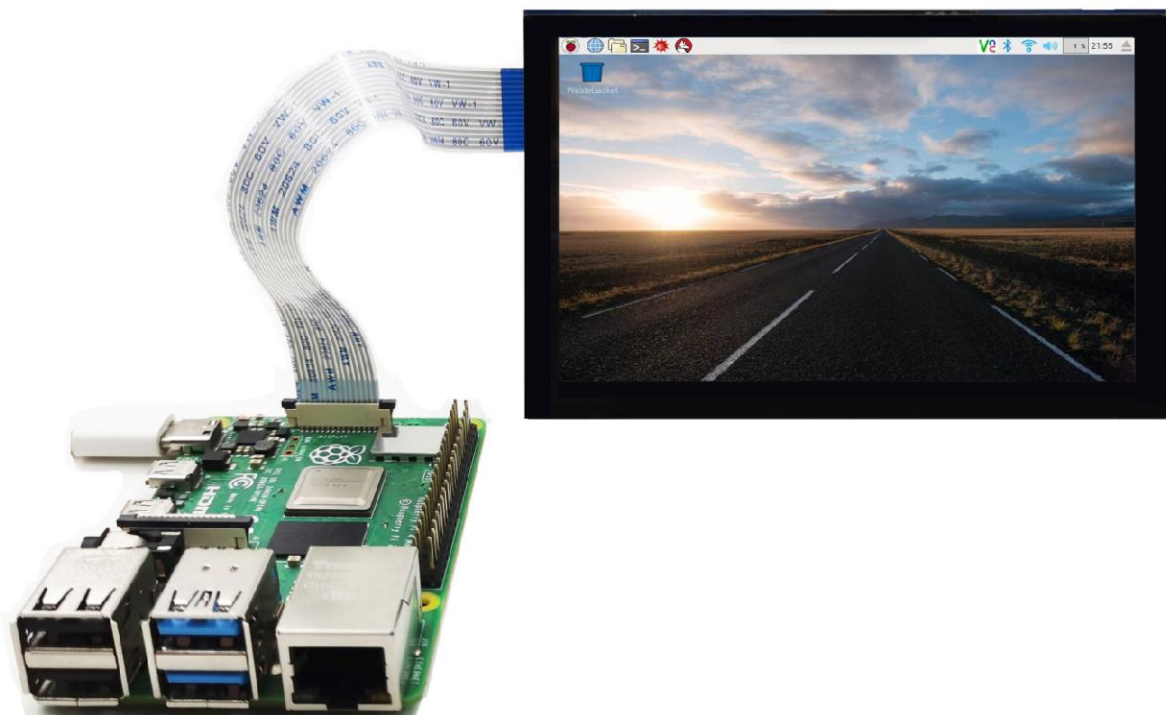


深圳市卡迪显示科技有限公司

SHENZHEN KADI DISPLAY

4.3- Inch DSI MIPI

KDR4303-01





1. General Specifications

	Feature	Spec
Characteristics	Size	4.3 inch
	Resolution	800(horizontal)*480(Vertical)
	Interface	DSI MIPI(For Raspberry Pi)
	Connect type	Connector
	Display Colors	16.7M
	Technology type	a-Si
	Pixel pitch (mm)	0.1188*0.1122
	Display Mode	Normally Black
	Technology	IPS
	CTP Driver IC	GT911
	Viewing Direction	ALL
Mechanical	LCM (W x H x D) (mm)	105.50*67.20*14.07
	Active Area(mm)	95.04 x 53.86
	With /Without TSP	With CTP
	Weight (g)	TBD
	LED Numbers	10 LEDs

2. Electrical Characteristics

Item	Symbol	MIN	Typ	MAX	Unit
Supply Voltage	VDD	3.0	3.3	3.6	V
Direct Current(With Backlight)	Id	-	TBD	-	mA
Operating Temperature	TOPR	-30	-	85	°C
Storage Temperature	TSTG	-30	-	85	°C
Life time			30000		Hrs
Brightnes	YL	-	400	-	Cd/m2



3. PIN-MAP

15PIN/1.0 CONNETOR

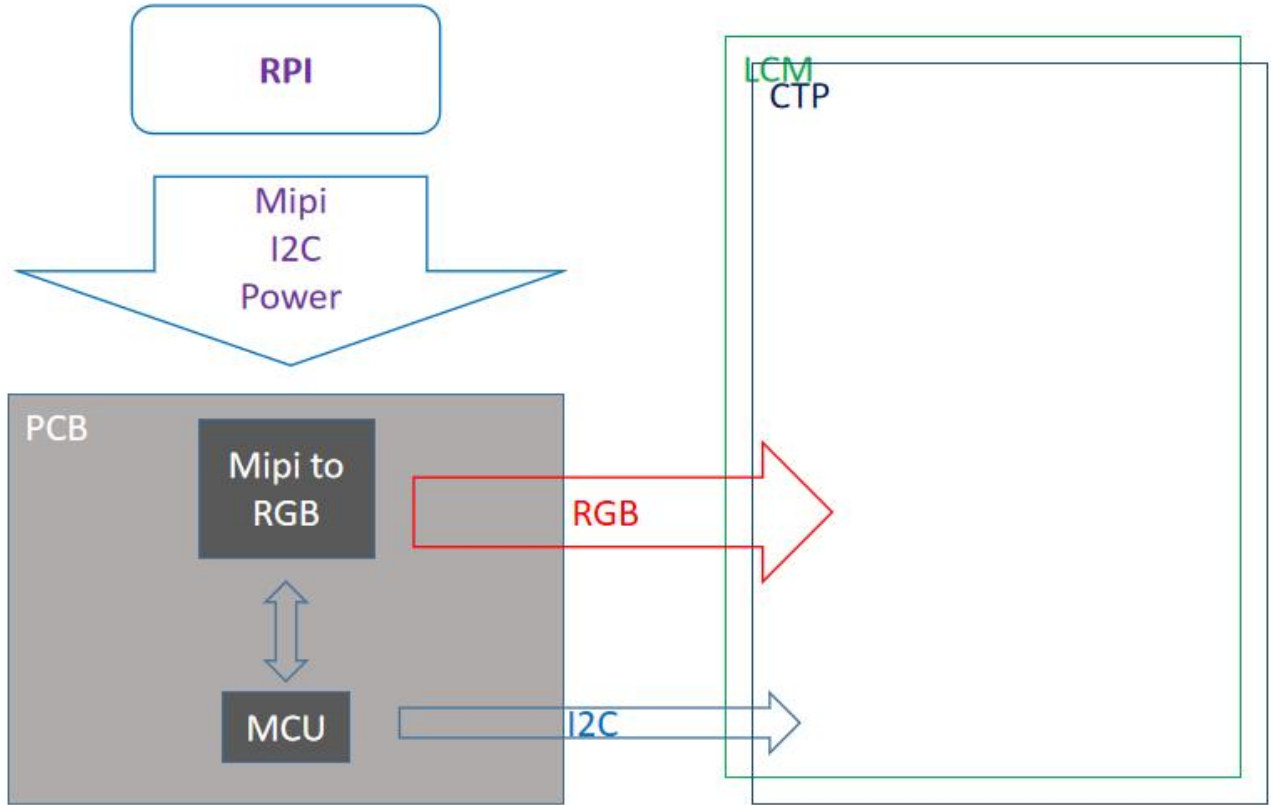
No.	Symbol	Description
1	GND	Ground
2	MP_DN1	MIPI Negative data1 signal(-)
3	MP_DP1	MIPI Positive data1 signal(+)
4	GND	Ground
5	MP_DCN	MIPI Negative clock signal(-)
6	MP_DCP	MIPI Positive clock signal(+)
7	GND	Ground
8	MP_DN0	MIPI Negative data0 signal(-)
9	MP_DP0	MIPI Positive data0 signal(+)
10	GND	Ground
11	SCL0	I2C0 clock signal
12	SDA0	I2C0 data signal
13	GND	Ground
14	DC	3V3
15	DC	3V3

3PIN/1.25 CONNETOR

No.	Symbol	Description
1	VCC5V	Backlight Power Supply 5V
2	PWM	Brightness adjust(100%PWM duty 100% on;0%PWM duty darkness)
3	GND	Ground



4. Block Diagram





5.Drawing

Front View

Side View

Dorsal View

Note: This DSI mipi only for Raspberry Pi

CTP NOTES:

1. Strip Glass: G+G Cover Glass+HCGA+ITO GLASS+IFPC, Color Glass: SCA0(2mm)ITO GLASS:0.55mm, Total thickness:1.45±0.1mm
2. Driver IC: G1711(COF) Support 5 pins touch, Working voltage: 3.3 V, IO: 2.8V, Interface: I2C, IC address: 0X28
3. Transmittance: ≥85%, Resolution: 480*272
4. Operation Condition: -20 °C ~ +70 °C, Storage Condition: -30 °C ~ +80 °C
5. Surface Hardness: ≥8H
6. RoHS Compliant
7. Unmarked tolerances: ±0.2

LCM NOTES:

1. DISPLAY TYPE: 4.3 INCH TFT, Normally black
2. BACKLIGHT: 10 CHIP WHITE LED, SS2P, IF=1(3.5~17V)/V=20*2mA
3. OPERATING TEMP: -30°C~+85°C
4. STORAGE TEMP: -30°C~+85°C
5. LCD IC: HX82B4-D06+HX8664-B
6. Luminance: 400cd/m2(TYP)
7. (*)reference dimension, "critical dimension"
8. RoHS Compliant

CIRCUIT DIAGRAM

REV.	DATE	MODIFICATION
1.0	2024.10.28	First issue

FILE NO.	PART NO.
DWVN_LiHuang_2024_10_28	KDRA303.01

FILE NO.	REV.	SHEET OF
DWVN_LiHuang_2024_10_28	1.0	1/1

CHKD	TOLERANCE UNLESS SPECIFIED
HZX_2024_10_28	±0.2

PROJECTION	3/8 ANGLE	UNIT	SCALE
		mm	1:1

J1:15PIN-1.0
1 GND
2 MP-DN1
3 MP-DP1
4 GND
5 MP-DGN
6 MP-DGP
7 GND
8 MP-DNO
9 MP-DPO
10 GND
11 SCL0
12 SDA0
13 GND
14 DC_3V3
15 DC_3V3

J2:3PIN-1.25
1 VCC5V
2 PWM
3 GND