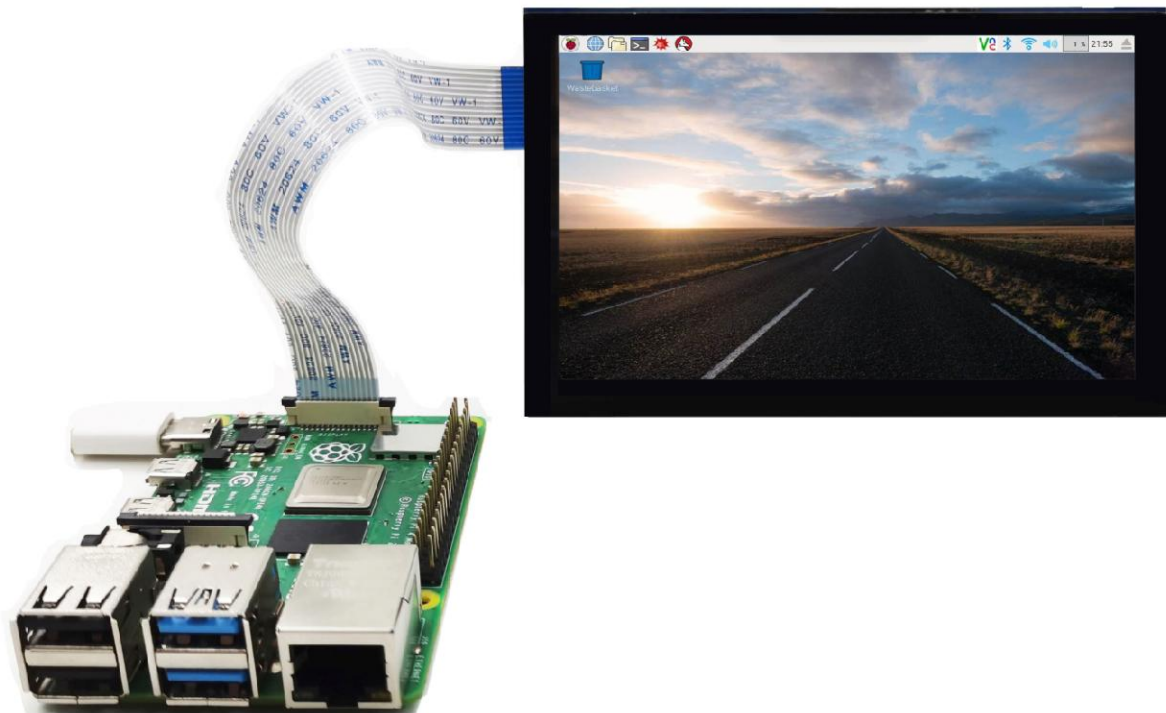




5.0- Inch DSI MIPI

KDR5002-01



1. General Specifications

	Feature	Spec
Characteristics	Size	5.0 inch
	Resolution	800(horizontal)*480(Vertical)
	Interface	DSI MIPI
	Connect type	Connector
	Display Colors	16.2M
	Technology type	a-Si
	Pixel pitch (mm)	0.135*0.135
	Pixel Configuration	R.G.B.-Stripe
	Display Mode	Normally White
	Driver IC	ST7265
	CTP Driver IC	FT5446U
Mechanical	Viewing Direction	ALL
	LCM (W x H x D) (mm)	120.7*75.8*2.8
	Active Area(mm)	108 x 64.80
	With /Without TSP	With CTP
	Weight (g)	TBD
	LED Numbers	18 LEDs

2. Electrical Characteristics

Item	Symbol	MIN	Typ	MAX	Unit
Supply Voltage	VDD	3.0	3.3	3.6	V
Direct Current(With Backlight)	Id	600	800	1000	mA
Operating Temperature	TOPR	-20	-	70	°C
Storage Temperature	TSTG	-30	-	80	°C
Life time			25000		Hrs
Brightnes	YL	700	800	-	Cd/m2

3. PIN-MAP

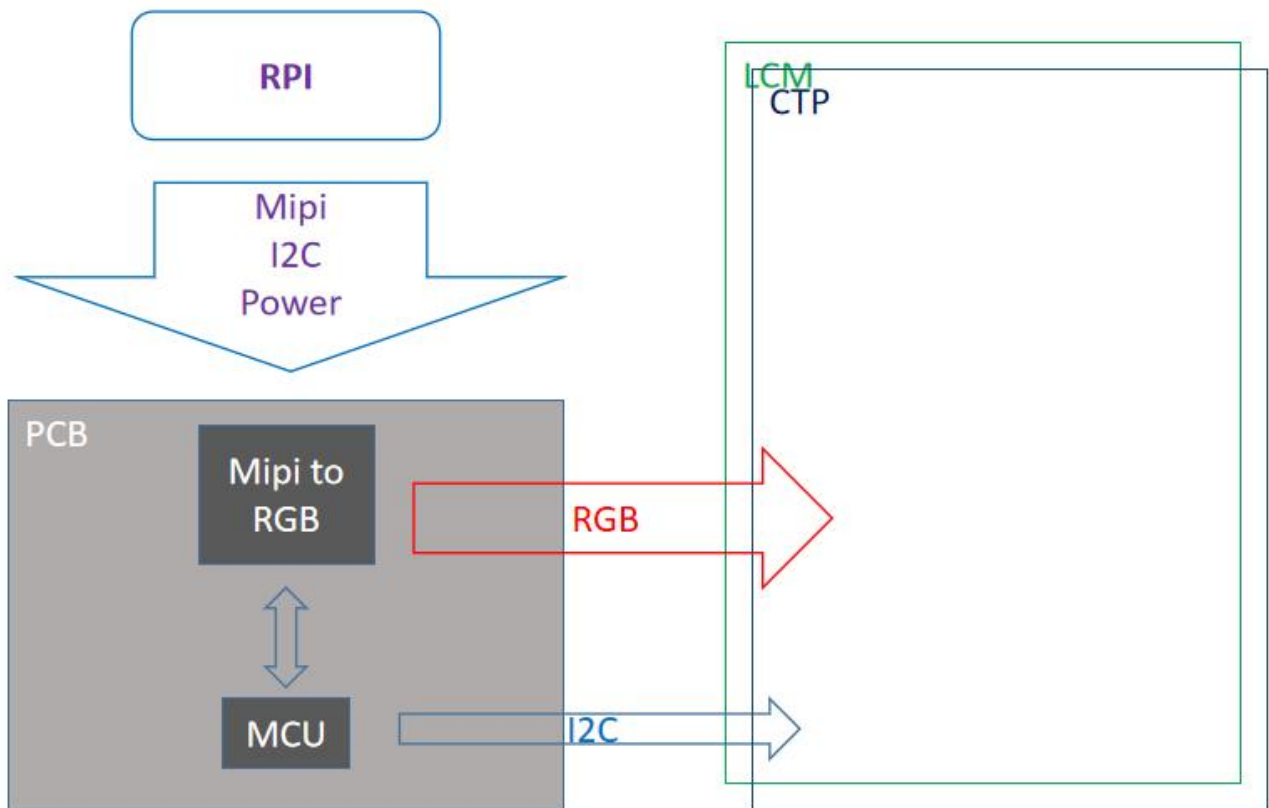
15PIN/1.0 CONNETOR

No.	Symbol	Description
1	GND	Ground
2	MP_DP1	MIPI Positive data1 signal(+)
3	MP_NP1	MIPI Negative data1 signal(-)
4	GND	Ground
5	MP_DCN	MIPI Positive clock signal(+)
6	MP_DCP	MIPI Positive clock signal(-)
7	GND	Ground
8	MP_DN0	MIPI Positive data0 signal(+)
9	MP_DP0	MIPI Negative data0 signal(-)
10	GND	Ground
11	SCL0	I2C0 clock signal
12	SDA0	I2C0 data signal
13	GND	Ground
14	DC	3V3
15	DC	3V3

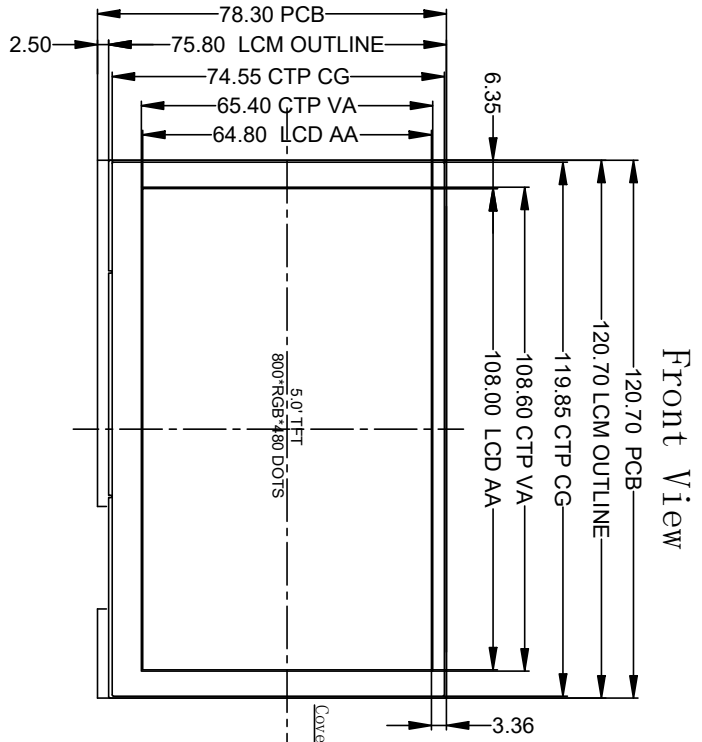
3PIN/1.25 CONNETOR

No.	Symbol	Description
1	+5V	Backlight Power Supply 5V
2	PWM	Brightness adjust(100%PWM duty 100% on;0%PWM duty darkness)
3	GND	Ground

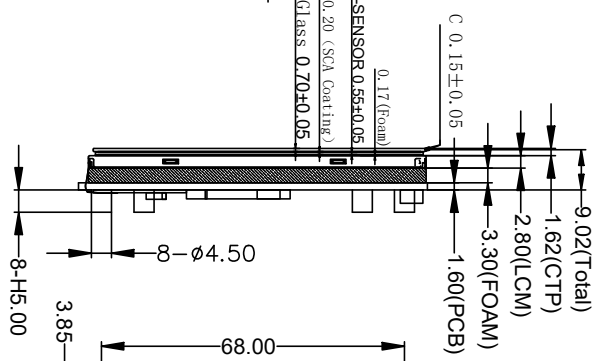
4. Block Diagram



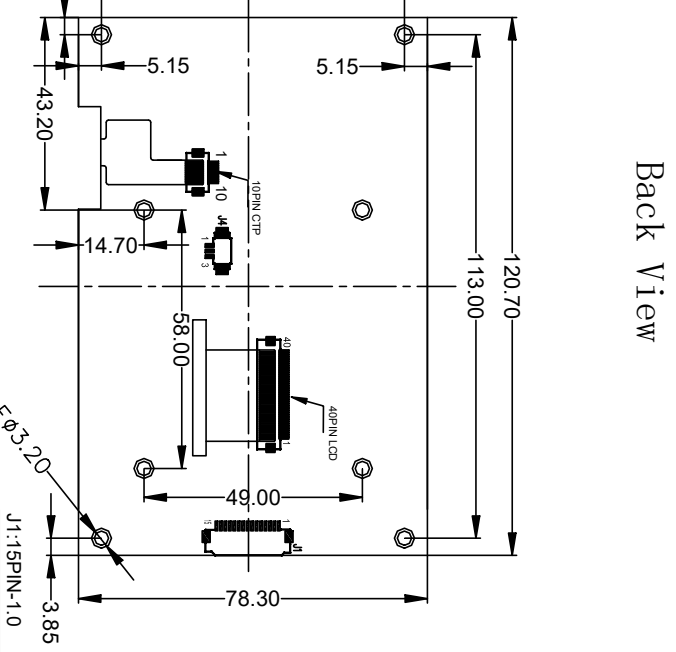
5. Drawing



Front View



Side View



Back View

PIN	J1
1	GND
2	MP DN1
3	MP DP1
4	GND
5	MP DCN
6	MP DCP
7	GND
8	MP DNO
9	MP DPO
10	GND
11	SOLO
12	SDA0
13	GND
14	DC 3V3
15	DC 3V3

PIN	J4:3PIN-1.25
1	VCC5V
2	PWM
3	GND

- NOTES:
1. DISPLAY TYPE: 5.0 INCH TFT /TRANSMISSIVE
 2. Luminance:800cd/m2(TYP)
 3. OPERATING TEMP: -20°C~+70°C STORAGE TEMP: -30°C~+80°C
 4. LCD Interface: MIPI
 5. CTP Driver IC: FT5446U
 6. RoHS Compliance:

REV.	DATE	MODIFICATION
1.2	2024.04.18	FOAM Thick changed
1.1	2024.02.19	CTP changed
1.0	2023.11.03	First issue

INTERFACE	MIPI
VIEWING DIRECTION	IPS
DIRECTION	Gray

File NO.	KDR002-01	PART NO.	KDR002-01
DWN	Kevin 2024.04.18	REV.	1.0
CHKD	Kevin 2024.04.18	TOLERANCE UNLESS SPECIFIED	±0.2
PROJECTION	3rd ANGLE	UNIT	mm
		SCALE	1:1

